

# Brio 93HSB Self Draining Sill

Brio Australia  
 P: +61 2 87186718  
 W: [brio.com.au](http://brio.com.au)  
 E: sales@brio.com.au

Brio RMD UK Ltd.  
 P: +44 191 2291224  
 W: [briouk.com](http://briouk.com)  
 E: sales@briouk.com

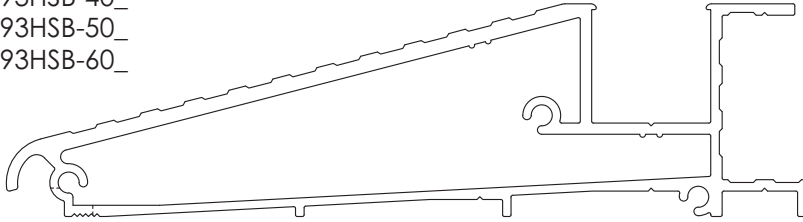
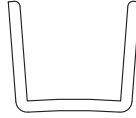
Brio USA Inc.  
 P: +1 585 3195599  
 W: [briousa.com](http://briousa.com)  
 E: sales@briousa.com

## Required Hardware anodising colour not specified

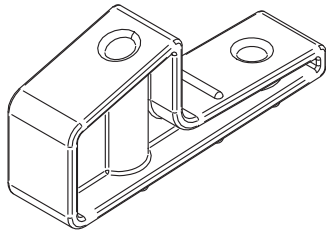
### Supplied Hardware

- 93HSB-20\_
- 93HSB-25\_
- 93HSB-30\_
- 93HSB-35\_
- 93HSB-40\_
- 93HSB-50\_
- 93HSB-60\_

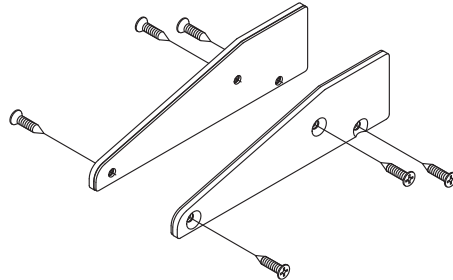
94P Polypropylene Channel  
 supplied in 2, 2.5, 3, 3.5, 4, 5 and 6m lengths



93HSB Aluminium Extrusion  
 supplied in 2, 2.5, 3, 3.5, 4, 5 and 6m lengths

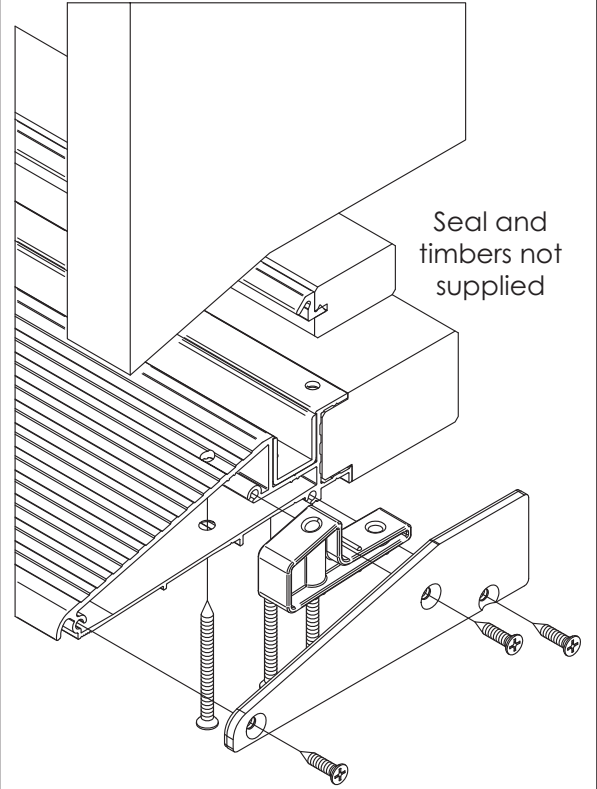


93B Screw Block  
 2 supplied per kit



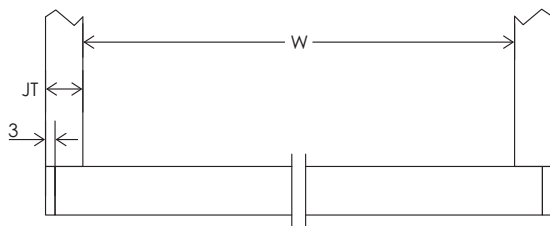
93AEC End Caps  
 1 set (left and right) supplied per kit

### Assembled Sill

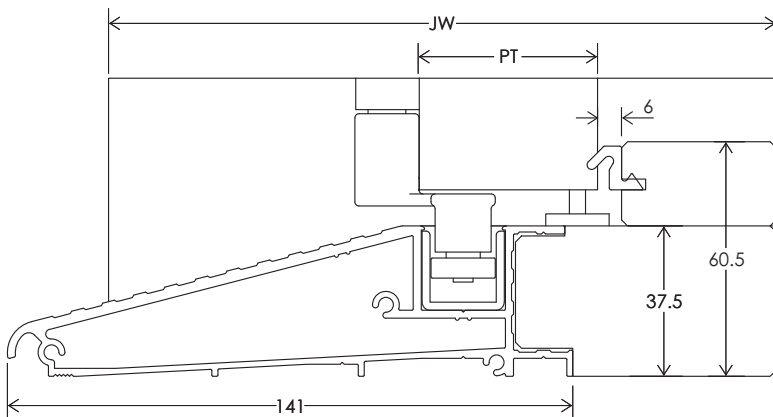


## Preparing Sill Timbers

### System Details

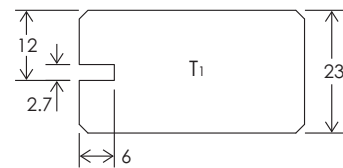


Cut 93HSB and 94P to length =  $W + 2(JT) - 6$

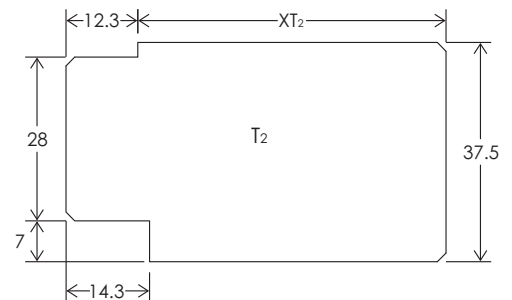


W = Opening width between jambs  
 JT = Jamb Thickness  
 JW = Jamb Width  
 PT = Panel Thickness

### Cutting Timbers



Cut to length = W



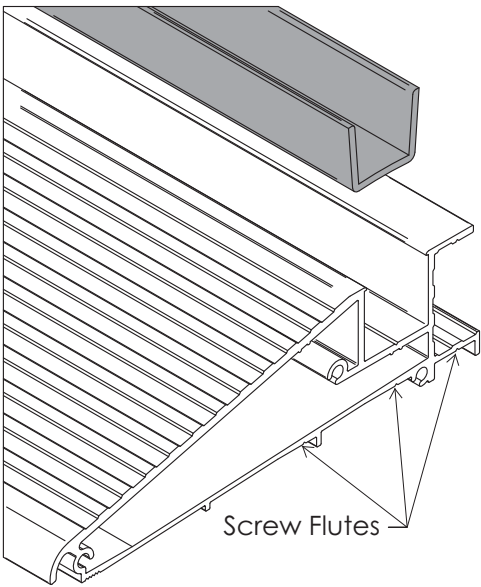
Cut to length =  $W + 2(JT) - 6$   
 XT2 decided by installer

Seal AQ21 can be purchased from Brio for the full perimeter seal

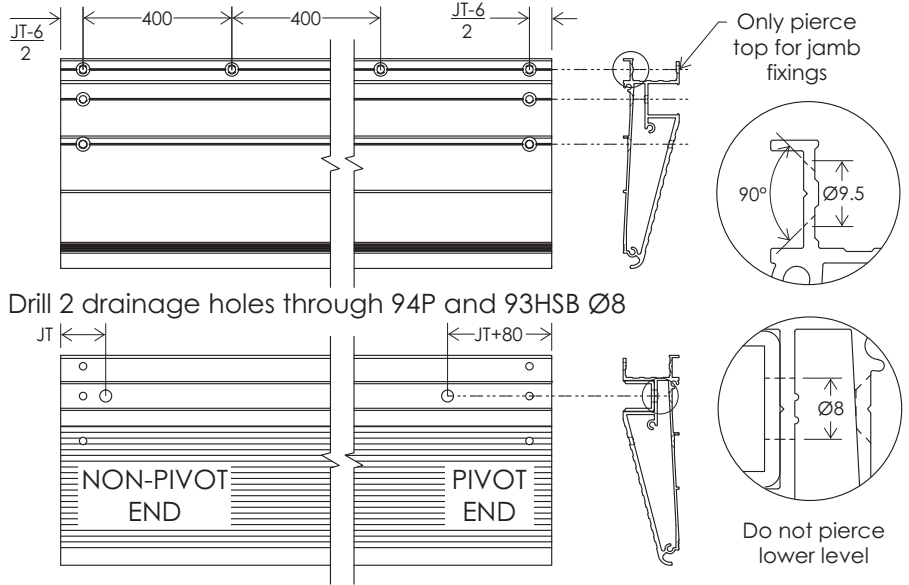


# Preparing Sill Base

Insert 94P into 93HSB



Drill 3 holes  $\text{Ø}9.5 \times 90^\circ$  at either end of sill through screw flutes. Fixing holes for timber  $T_2$  are placed at 400mm intervals (also  $\text{Ø}9.5 \times 90^\circ$ )

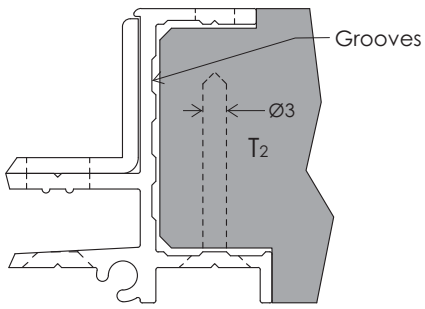


Drill 2 drainage holes through 94P and 93HSB  $\text{Ø}8$

# Assembling Sill

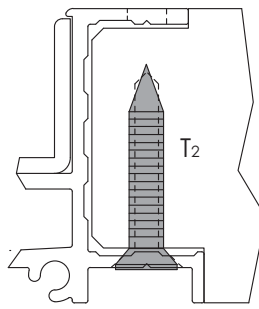
use building adhesives and sealants were recommended

Apply adhesive to 93HSB's grooves and attach timber  $T_2$



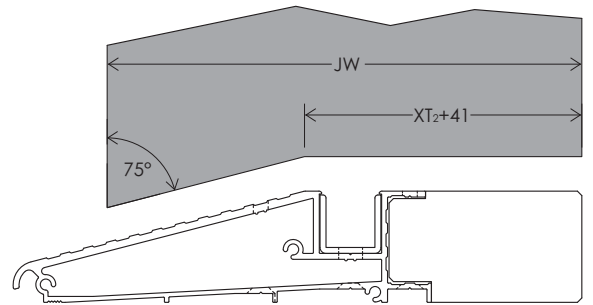
Drill holes  $\text{Ø}3$  to match fixing holes

Screw fix timber  $T_2$  to 93HSB except at ends



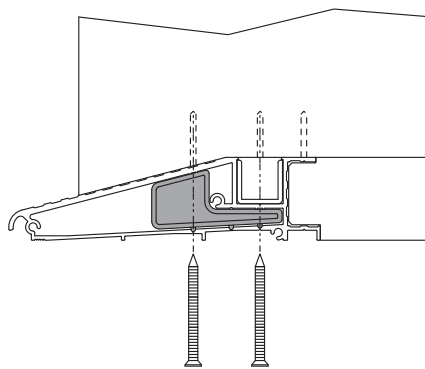
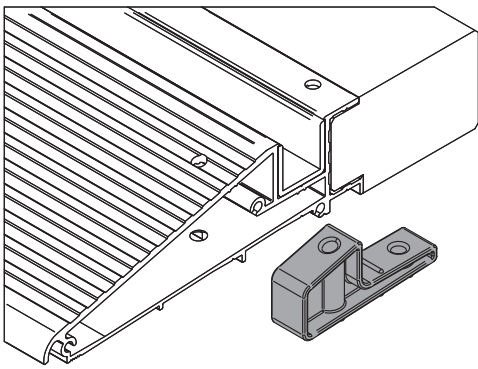
8G x 19 Screws

Shape Jamb to match profile of 93HSB

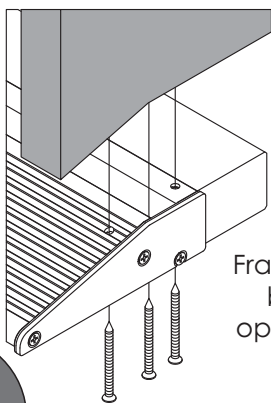
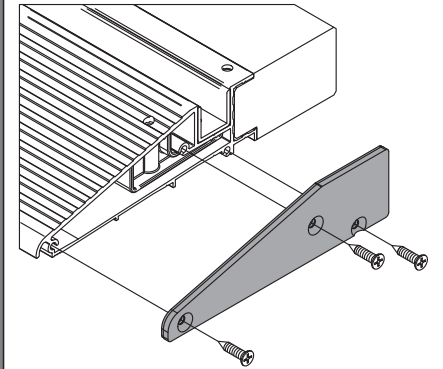


Drill holes  $\text{Ø}3$  to match jamb fixing holes

Insert 93SB into 93HSB and align holes with drilled holes for jamb fixings



Attach 93AEC - screws supplied



Attach jamb to sill - apply sealant to screw heads

Frame can then be fixed to opening on-site

Timber  $T_1$  can be pinned in place once system has been installed

